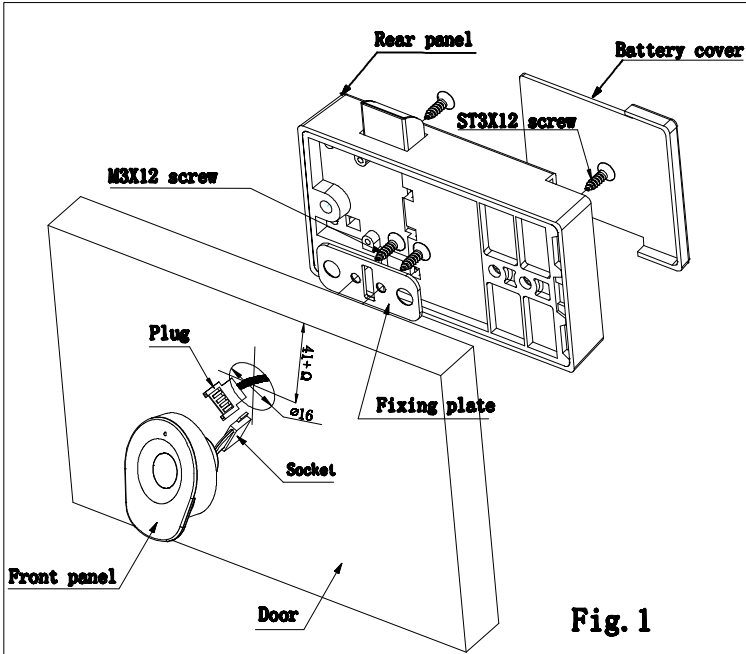


FL-W-800 Drilling & Installation Guide



Installation Procedure

Fig. 1

1. Drill a hole of 16mm diameter in the door from the door edge of 41mm.
2. Put the plug through the fixing plate and the door hole and insert into the socket of the front panel.
3. Put the fixing plate on the bottom of the front panel and fix with 2 M3X12 screws.
4. Fix the rear panel on the door with 2 ST3X12 screws.
5. Load 3 pcs AA alkaline batteries into the battery holder and insert the battery cover to fix it.

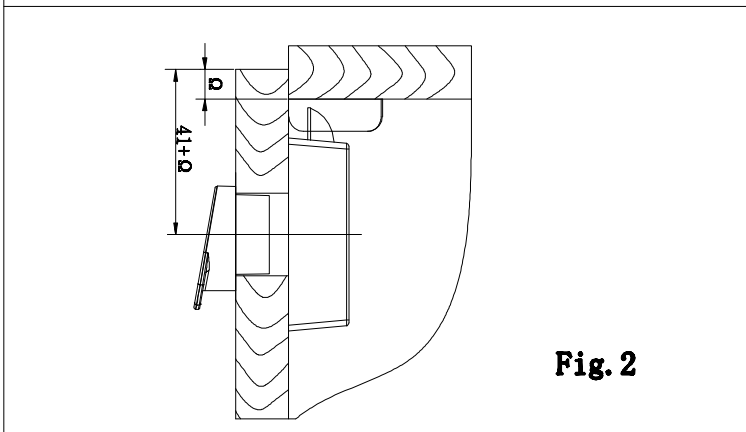


Fig. 2

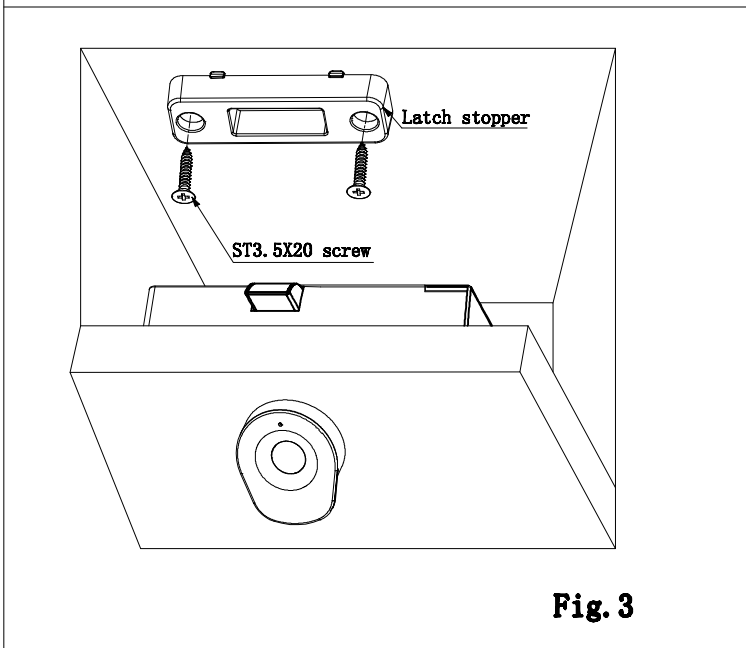
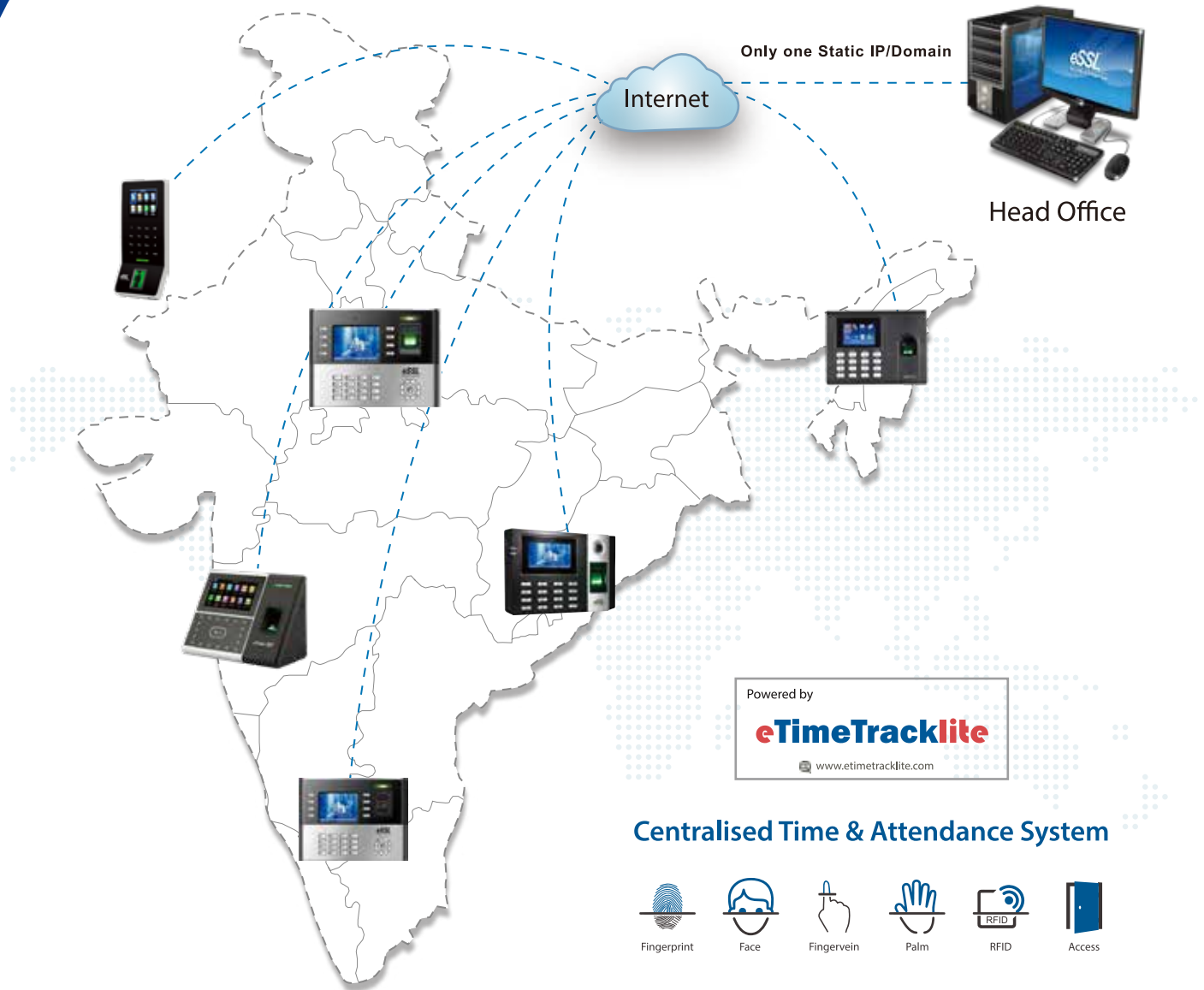


Fig. 3

- Fix the latch stopper on the door frame with 2 ST3.5X20 screws.

Manage Time & Attendance for all your Branches from Head Office



Disclaimer : Specifications can be changed without prior notice.

1. Buying and Selling eSSL products online is prohibited and is termed as illegal
2. Installation / Technical support / Training to end user is the responsibility of the installer or dealer
3. eSSL do not support end user directly, if they want support charges will be applicable



Enterprise Software Solutions Lab Pvt. Ltd. (Corporate-Office)

#24, 23rd main, Shambhavi Building, J P nagar 2nd phase, Bengaluru - 560078

www.esslsecurity.com | sales@esslsecurity.com | Ph : 91-8026090500