



# INSTALLATION MANUAL

---

## FB-EF-2213



# TABLE OF CONTENTS

---

## 01 Installation instruction

1.Installation Requirement .....	01
2.Installation .....	02

## 02 Testing

1.Testing .....	08
2.Parameter Description .....	09

## 03 Troubleshooting and Maintenance

1.Troubleshooting .....	12
2.Note .....	13

**01**



# **INSTALLATION INSTRUCTION**

# Installation Requirement

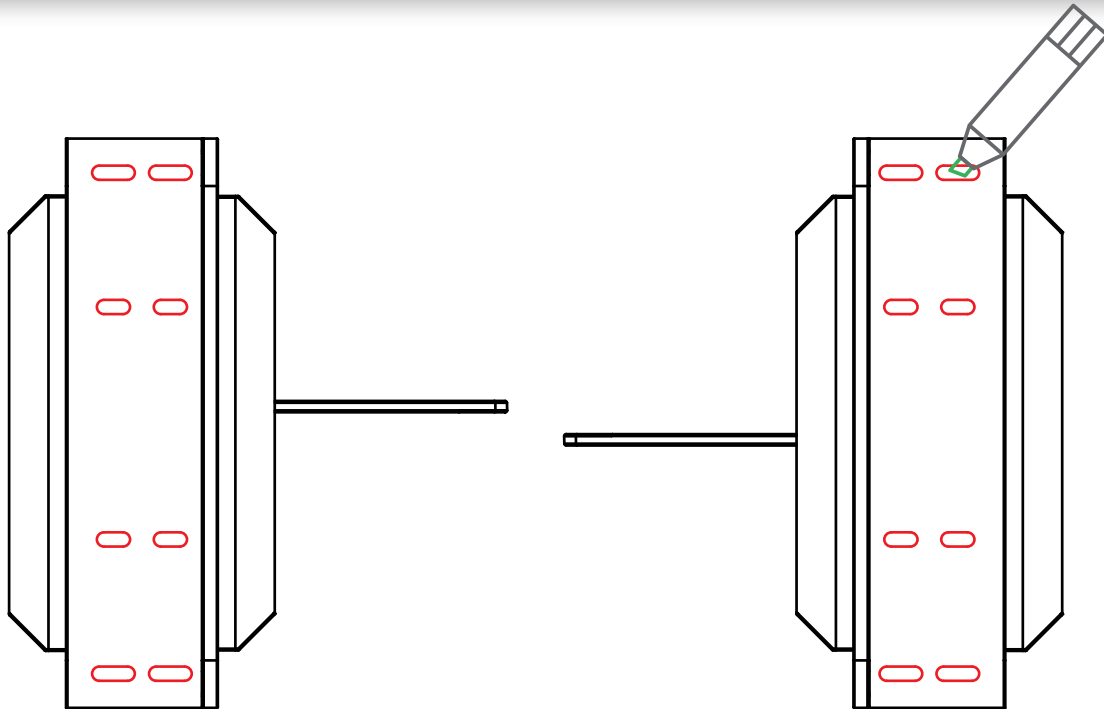
- 1、 The ground surface where the gate is installed should be level;
- 2、 The concrete grade  $\geq$  C30 (For outdoor installation);
- 3、 Concrete thickness  $\geq$  200mm;
- 4、 The ground must be frost-free and have good bearing capacity;
- 5、 The turnstile must be grounded;
- 6、 The power cord should be no less than RVV3\*2.0;
- 7、 When installing, make sure the body is horizontal and the turning bar is vertical.

# Installation

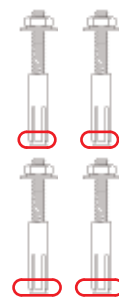
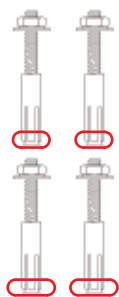
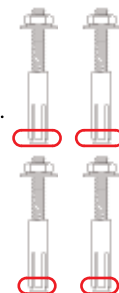
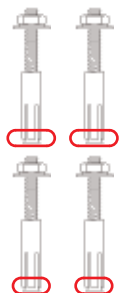
According to the channel requirements, place the equipment in good condition, ensuring that both ends of the equipment are level and the channel width is consistent



# Mark the fixed hole position

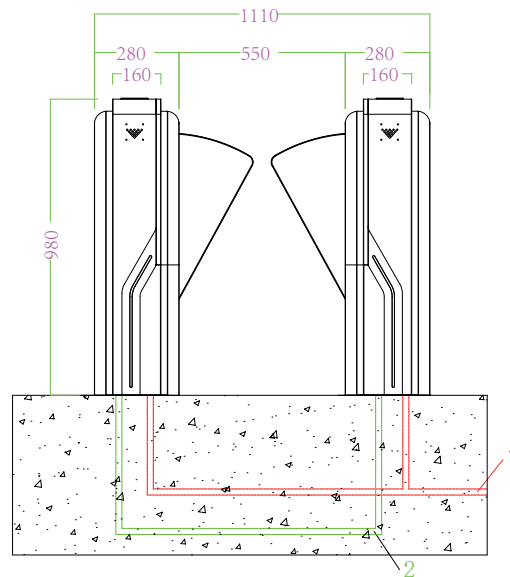


Move the device away and embed M12 \* 100 expansion screws according to the marked hole positions



# Buried wires according to wiring diagram ahead of time

(Note: This device only needs power cords. If other access control equipment is installed, wiring can be done according to actual conditions.)

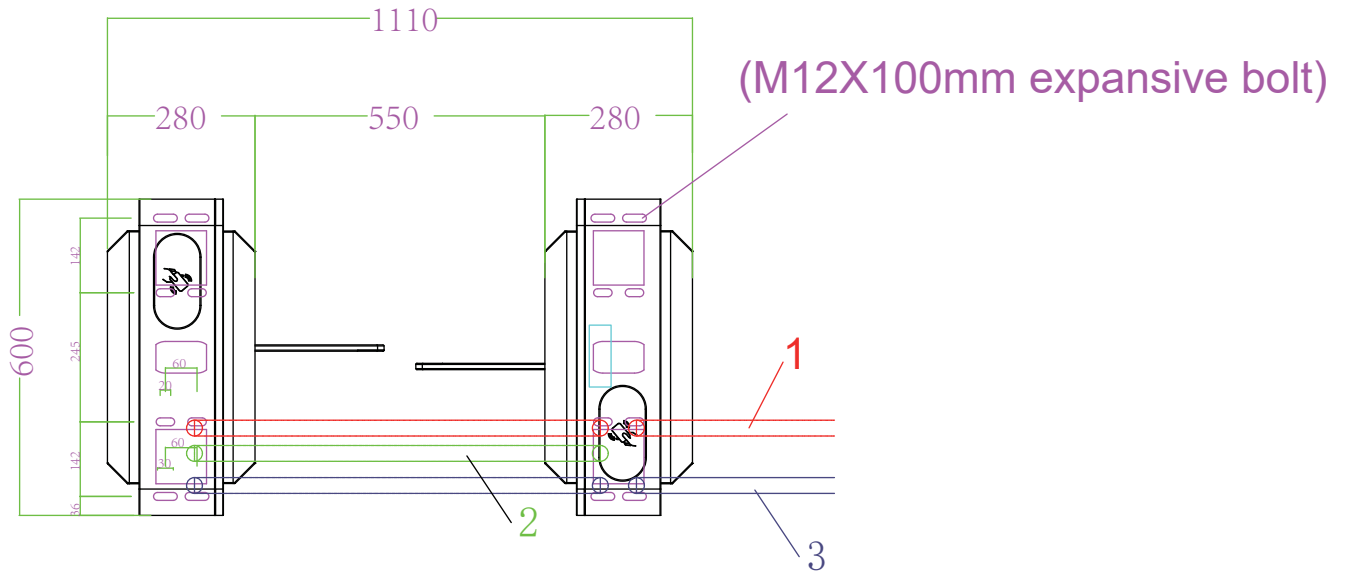


## Installation Manual:

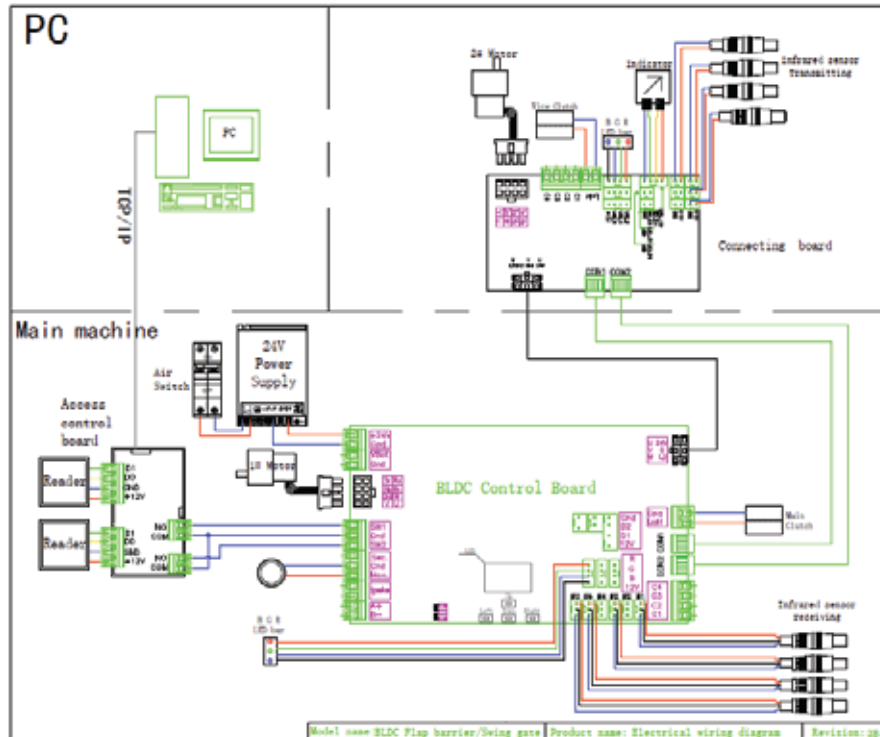
- 1 || The  $\text{Ø}20\text{mm}$  PVC tube for AC 220V Power wires(3 X  $\text{Ø}2.0\text{mm}$ ).
- 2 || The tube for connecting vice-machine to master machine in the same lane (CAT5 network cables\*2PCS, 6 \* 1.0mm line\*1PCS) .
- 3 || TCP/IP ethernet cable for connecting access device to PC.
- 4 || Control board .
- 5 •• Fixing the equipment with M12 X 100mm expansive bolt .

Mark:All wires extending out of the ground shall be no less than 2M.

# Turnatile installation and fixation



# Wiring diagram



02



# TESTING

# Testing

1. Check the wiring: According to the wiring diagram, check whether the online and power lines of the gate are connected correctly. Only after confirming that they are correct can the power be turned on. If there are any abnormalities during the power on process Always disconnect the power and check the connecting wires first.
2. Function debugging: After power on, the gate is opened and closed, then opened and finally closed. This process is a machine self-test, and the self-test is completed after two beeps of two seconds. Do not block the infrared during the process and do not stand in the channel.
3. Enter the lines without swiping card, the turnstile will always alarm; if no alarm, please check if the infrared sensors are aligned. When they are aligned, the infrared receiver lights up red; When they are not aligned, and then the infrared receiver will not light up red, please adjust and align the infrared sensors.
4. The unlocking time of the access control relay should be set to 0 seconds or 1 second
5. When flashing a valid card, the indicator light turns into a green arrow. If the direction indicated by the indicator light is incorrect or if the entrance gate is closed immediately and an alarm is triggered, switch to SW1 Simply swap the Gnd and SW2 Gnd wiring.
6. Carefully inspect and test to ensure that there are no abnormalities in the door opening and closing, the indicator lights are correct, and the infrared anti pinch function is normal before putting it into use.

# Parameter Description

menu	illustrate
1. Parameters	
1.1 Counter	Display pass through count
1.2 Gate Mode	Set gate mode(NO, NC and card, free or reject) of enter and exit: 1.NC, Both Card (default)
1.3 Pass Time Out	Set maximum waiting time 10-255, unit 0.1s, (default 5 seconds)
1.4 Memory	Set scan card with memory mode: 1. Both disable(default)
1.5 Read In Lane	Set can scan card after entry lane, please do not modify: 1. not allow (default)
1.6 Open Delay	Set authorized open door delay 0-255, unit 0.1s, (default 0)
1.7 Close Delay	Set close door delay after passage finish 0-255, unit0.1s, (default 0)
1.8 MIN Speed 1.	Set master machine power-on self-check speed, the smaller the value, the slower the speed.
1.9 MAX Speed 1.	Set master machine opening and closing speed, the higher the value, the faster the speed.
1.10 MIN Speed 2.	Set vice machine power-on self-check speed, the smaller the value, the slower the speed.
1.11 MAX Speed 2.	Set vice machine opening and closing speed, the higher the value, the faster the speed.
1.12 Pass End	Set IR Check passage end position: 1.exit (default), 2.safety
1.13 Intrude Set	Set Intrude Alarm Mode: 1.None, 2.alarm(default) , 3.alarm and close
1.14 Reverse Set.	Set Passage From Reverse Alarm Mode: 1.None
1.15 Tail-Gating	Set Tail-Gating Alarm Mode: 1.None
1.16 Entry-Voice	

.1.17 Exit-Voice	
1.18 Alarm-Voice	
1.19 Adv. Param.	Advance parameters
.1 Gearbox_RR	Set motor reduction ratio (1-120)
.2 KP1	
.3 KP2	
.4 Motor Pro.	Set the motor over current protection threshold, the default 2.0A
.5 Entry Angl 1	Set master machine the door opening angle for Entry
.6 Exit Angle 1	Set master machine the door opening angle for Exit
.7 Entry Angl 2	Set vice machine the door opening angle for Entry
.8 Exit Angle 2	Set vice machine the door opening angle for Exit
.9 Cushion Entry 1	Set master machine door closing limit buffer for Entry
.10 Cushion Exit 1	Set master machine door closing limit buffer for Exit
.11 Cushion Entry 2	Set vice machine door closing limit buffer for Entry
.12 Cushion Exit 2	Set vice machine door closing limit buffer for Exit
.13 Antagonism	In standby mode, the resistance to push the swing arm of the turnstile (no clutch mode)
.14 Output Test 1	Master machine angle value, Hall value position display
.15 Output Test 2	Vice machine angle value, Hall value position display
.16 Lock Open	Set clutch: 1.Not Allow, 2.Allowed
.17 Save Factory Settings	Save the current parameter to factory default: 1) OK 2) Cancel
.18 Auto Report	Set automatic report gate status when on change: 1) Disabled (default), 2) Enabled
.19 Motor Direction 1	Set direction of main motor rotation: 1. DIR_ON, 2. DIR_REV

.20 Motor Direction 2	Set direction of vice motor rotation: 1. DIR_ON, 2. DIR_REV
.21 Motor Type	Set motor type: 1. Motor1, 2. Motor2
.22 LED Mode	Set LED indicator default parameter: 1.Static LED, 2.Square LED
.23 Relay Mode	Set add relay use for passed counter : 1.Disabled (default), 2.Enabled
.24 Set Device Type	Set controller device type: 1. Swing Barrier, 2. Flap Barrier, 3. Tripod turnstile
2. System Set	
2.1 Language	Set Menu Display Language
2.2 Device Type	Display Controller Device Type
2.3 Version	Display hardware and firmware version information
2.4 Set Address	Set Device Logic Address
2.5 RS485 Baud	Set the baud rate of the RS485
2.6 Reset	Reset all setting to factory default
2.7 Restart	Restart controller
3. Factory Test	(The following functions are only allowed for qualified engineers to use)
3.1 Cycle Test	Open and close door cycle test
3.2 Set Zero	Swing gate use, set the baffle closed position

**03**



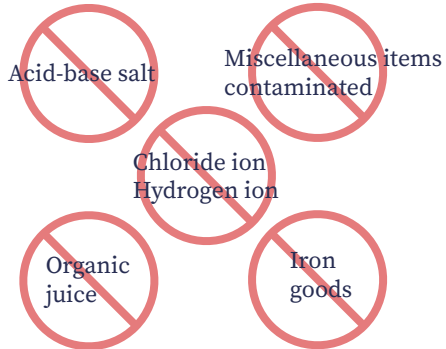
# **TROUBLESHOOTING AND MAINTENANCE**

# Troubleshooting

Basic concepts: Infrared radiation consists of a receiving end and a transmitting end. The green light at the tail of the transmitting end is always on, and the receiving end (with 3 wires, brown, 12V, blue, Gnd, black) When the signal line is unobstructed, the red light at the tail does not light up, and there is no voltage output between the black signal line and the blue line. When there is obstruction, the red light at the tail lights up, and the black signal line has voltage output between the number line and the blue line

<b>Question</b>	<b>Solution</b>
1、 The indicator light is not on?	Switch to another test machine or use a good one to check the wiring.
2、 There is one indicator light with wrong direction?	Swap the connection between D1 and D2 terminals of control board.
3、 After swiping the card, one side of the door wing remains stationary?	Check if the wiring is loose; Power off and check if the connecting wires are properly connected; Check the electrical of the control board separately. The ports W, V, and U of the machine correspond one-to-one with the color of the line sequence
4、 Open the gate upon entering the channel?	Change the two-way free access mode of the control panel menu to card swiping mode.
5、 After swiping the card, enter the channel to sound an alarm and close the gate	Connect the opening signal to the two terminals of the anti adjustment control board, SW1 GND and SW2 GND.

# Note



## Why does 304 stainless steel rust?

Environmental factors can cause corrosion and rusting of stainless steel, especially the presence of hydrogen ions and chloride ions. For example, hydrogen ions and chloride ions are present in table salt/sweat/sea water/sea breeze/soil, etc. Stainless steel corrodes quickly in the presence of chloride ions, even more than ordinary low carbon steel. Therefore, there are requirements for the working environment of stainless steel, and it needs to be wiped frequently to remove dust and keep clean and dry.



# Stainless Steel Turnstile Maintenance Manual

Dear Customer ,

Hello! Thank you for purchasing our company's products. Our company solemnly promises to customers that the pedestrian turnstile products you purchase are all made of high-end stainless steel 304. The sophisticated production technology is applied thoroughly all production process. With strict quality inspection, the product quality is assured. Affected by improper operation and climate environment, various components will inevitably become worn and cracked, resulting in rust and poor customer experiences. Therefore, we recommend that you keep your products regular maintenance and keep your products new.

**Type:** Surface dust, chemical liquid, dirt and acid and alkaline substances

**Solutions:** Wash with wet soft non-woven cloth, then wipe clean, then scrub with alcohol, and then wipe the whole body of the turnstile with WD-40 rust remover;

**Maintenance cycle:** Weekly



**Type:** The surface has rainbow patterns or the surface color is dull

**Solutions:** Wash with wet soft cotton cloth, then wipe clean, then scrub with alcohol, and then wipe the whole body of the turnstile with WD-40 rust remover;

**Maintenance cycle:** Weekly



**Type:** Check the moving parts for abnormal noise or looseness

**Solutions:** Apply butter to the moving part

**Maintenance cycle:** Quarterly



**Type:** Check if fasteners are loose or not and circuits is abnormal or not

**Solutions:** If the fastener is loose, then fasten. If the circuit is abnormal, eliminate the problems.

**Maintenance cycle:** Annual



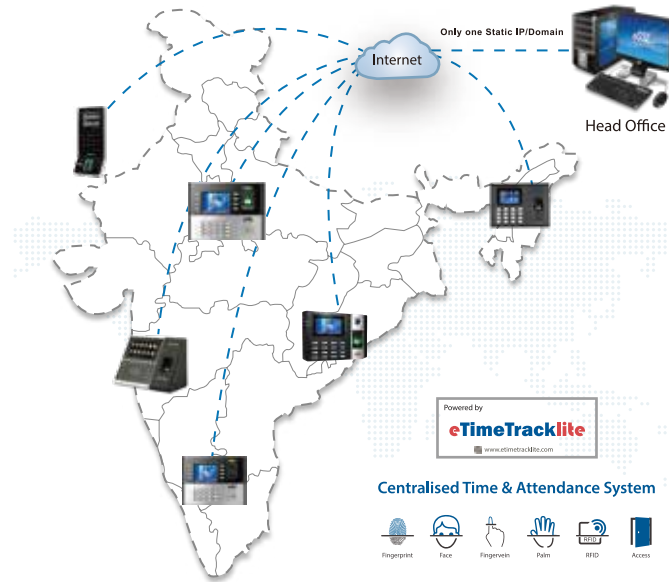
# Maintenance tools and materials

- 1、 Cleaner: Choose mild stainless steel cleaners and avoid using cleaners with acidic or alkaline ingredients.
- 2、 Soft cloth or sponge: Spray cleaners on a soft cloth (or sponge) to clean the turnstile surface.
- 3、 Water: wash surface dirt.
- 4、 Drying cloth: wipe off surface moisture.
- 5、 WD-40 Rust Remover: Remove rust caused by long-term exposure to corrosive environment.
- 6、 Lubrication: lubricate bearings, locking arms, transmission joint components.

## Note :

- 1、 Avoid using cleaners with acidic or alkaline ingredients, which may make the surface rust.
- 2、 Avoid using sharp or hard objects to scratch the turnstile surface, which will affect the appearance of the turnstile surface.
- 3、 Keep surface dry, Avoid making the turnstile in moisture for a long time. Water stains will cause stainless steel to rust. If there are water stains on the surface, wipe clean immediately.
- 4、 Regular inspection and maintenance, regularly check the turnstile surface condition to promptly find and resolve existing problems. If there are rust or scratches on the surface, please maintain or replace in time.

## Manage Time & Attendance for all your Branches from Head Office



**Disclaimer** : Specifications can be changed without prior notice.

1. **Buying and Selling eSSL products online is prohibited and is termed as illegal**
2. Installation / Technical support / Training to end user is the responsibility of the installer or dealer
3. eSSL do not support end user directly, if they want support charges will be applicable



Enterprise Software Solutions Lab Pvt. Ltd. (Corporate-Office)

#24, 23rd main, Shambhavi Building, J P nagar 2nd phase, Bengaluru - 560078

www.esslsecurity.com | sales@esslsecurity.com | Ph : 91-8026090500