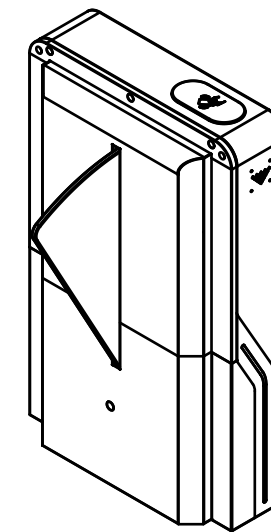
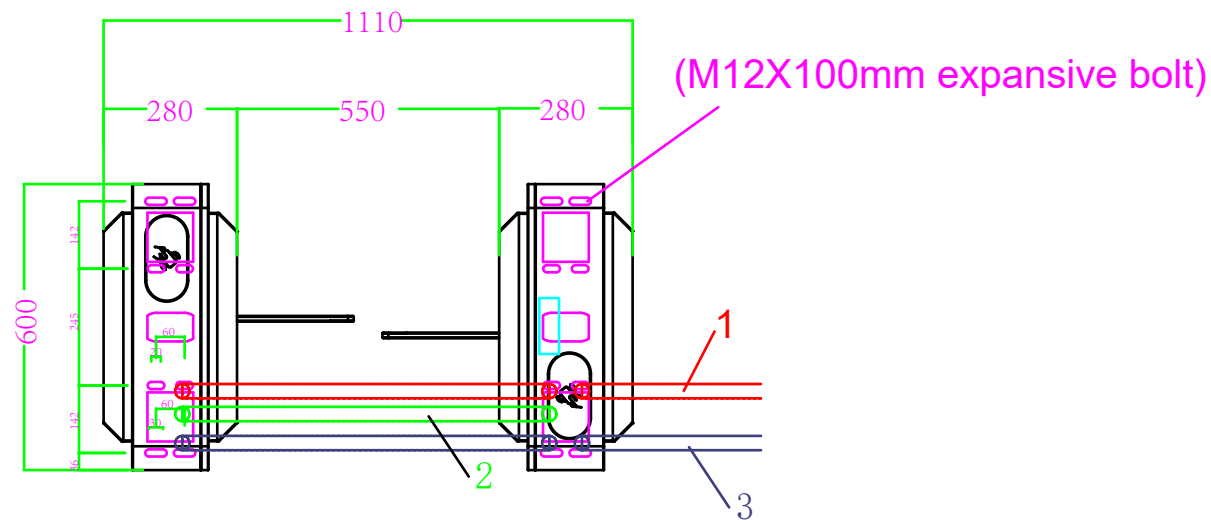
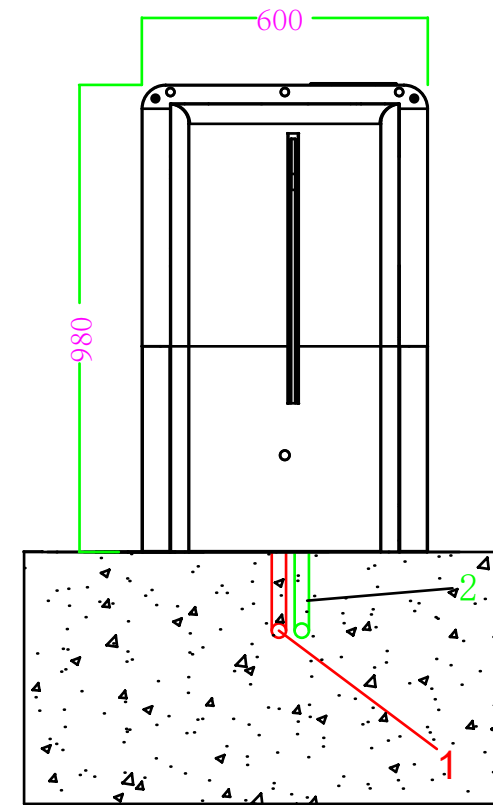
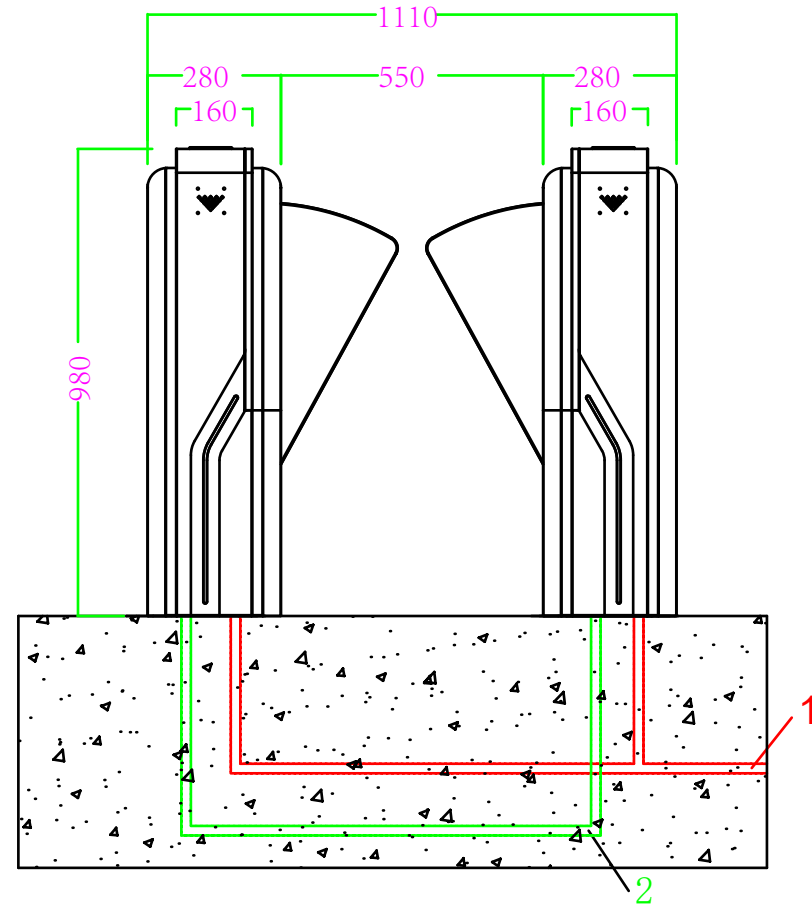


Unit:mm



Installation Manual:

- 1 || The Ø20mm PVC tube for AC 220V Power wires(3 X Ø2.0mm).
- 2 || The tube for connecting vice-machine to master machine in the same lane (CAT5 network cables*2PCS, 6 * 1.0mm line*1PCS) .
- 3 || TCP/IP ethernet cable for connecting access device to PC.
- 4 || Control board .
- 5 || Fixing the equipment with M12 X 100mm expansive bolt .

Mark:All wires extending out of the ground shall be no less than 2M.